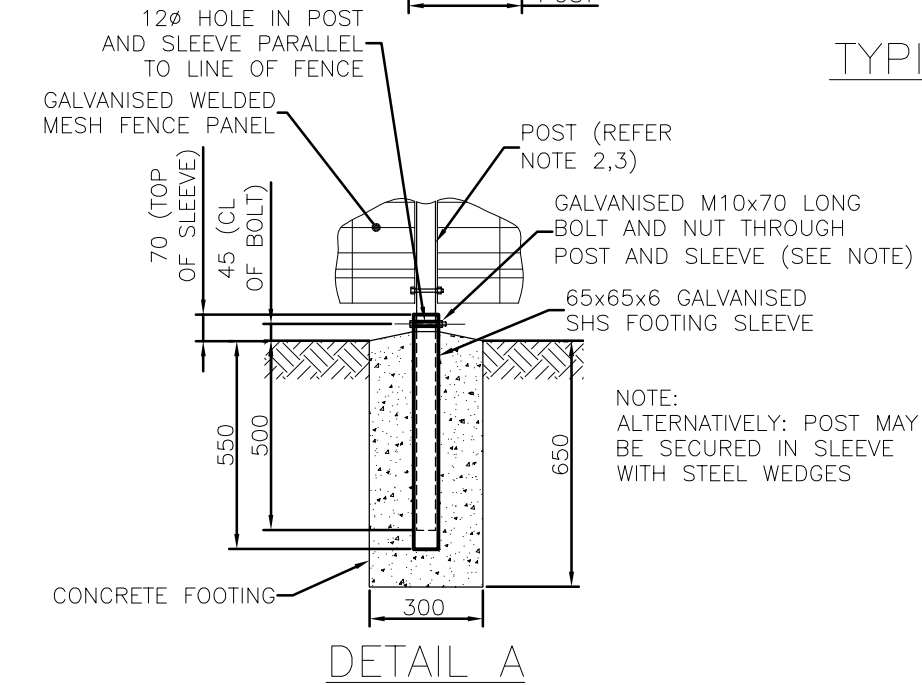


NOTE:
 ALTERNATIVE FOOTING:
 - WHERE EXISTING SOUND CONCRETE SLAB OR FOUNDATION EXISTS, A BASEPLATE DETAIL AS PER BSD-7001 MAY BE ADOPTED.
 - WHERE SOLID SUBSTRATE EXISTS, FOOTING SPIKES MAYBE USED AS PER DETAIL B

NOTES:

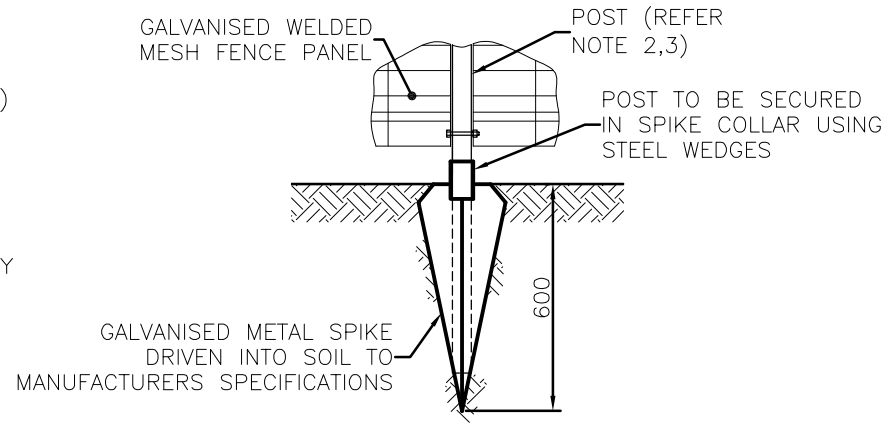
- THIS STANDARD IS NOT FOR USE IN A MARINE ENVIRONMENT. THE MARINE ENVIRONMENT COULD EXTEND UP TO 1 km FROM THE FORESHORE.
- WHERE STANDARD IS REQUIRED FOR USE WITH MARINE ENVIRONMENT, THE FOLLOWING PROTECTION TREATMENT IS REQUIRED:
 - STEELWORK HOT DIP GALVANISING: 85 MICRONS (600g/m²) MIN;
 - SWEEP ABRASIVE BLAST;
 - STEELWORK FIRST COAT: EPOXY PRIMER 75 MICRONS MIN;
 - STEELWORK SECOND COAT: TWO PACK ACRYLIC OR POLYURETHANE GLOSS 75 MICRONS MIN;
 - WIRE MESH AND WIRE TIES TO BE PVC COATED.
- PAINT SYSTEMS TO BE IN ACCORDANCE WITH AS 2312 AND DESIGNATED HDG600P6 AND HDG600P.
- GATE, END AND INTERMEDIATE POSTS TO BE 50NB CHS OR 50x50x2 GALVANISED STEEL SECTION TO AS 1163.
- PANELS TO BE FIXED TO POSTS USING STANDARD GALVANISED CLIPS AND GALVANISED 12-14x20mm HEXAGON HEAD SELF DRILLING (TEK) SCREWS OR GALVANISED M8 BOLTS.
- WELDED MESH PANELS TO BE 2475x1200 WITH 5 DIAMETER MESH.
- HOT DIP GALVANISING: FERROUS OPEN SECTIONS TO AS 4791, FERROUS HOLLOW SECTIONS TO AS 4792.
- ALL CONCRETE TO BE GRADE N25.
- POSTS ARE TO BE VERTICAL.
- SPIKES, WHERE USED, ARE TO BE INSTALLED TO MANUFACTURERS SPECIFICATIONS.
- WHERE SLEEVES OR SPIKES ARE USED, POSTS ARE TO BE SECURED WITH BOLTS AS SHOWN OR STEEL WEDGES.
- NUTS TO BE SPOT WELDED TO BOLTS AS AN ANTI-THEFT DETERRENT.
- RAKED PANELS ARE AVAILABLE FOR SLOPES UP TO 1 IN 5.
- THESE FENCES ARE INTENDED AS A PEDESTRIAN BARRIER AND ARE NOT TO BE USED IN SITUATIONS WHERE MOTOR VEHICLES REQUIRE RESTRAINT.
- STEEL WORK MAY BE POWDER COATED TO AS 4506 TO MATCH COLOUR CO-ORDINATION IN THE AREA. COLOUR FOR TRAFFIC APPLICATIONS TO BE EITHER BCC CORPORATE COLOUR PALETTE "GREY 3" (AS 2700-1996 "N65 GRAPHITE" GREY EQUIV.), "BLUE 3" (AS 2700S-1996 "B62 MIDNIGHT BLUE" EQUIV.) OR "GREEN 1" (AS 2700-1996 "G12 HOLLY" EQUIV.).
- 100mm WIDE REFLECTIVE TAPE TO BE APPLIED TO END POSTS WHERE VEHICLE TRAFFIC CONFLICT MAY OCCUR.
- DIMENSIONS IN MILLIMETRES (UNO).

TYPICAL SECTION



DETAIL A

ALTERNATIVE FOOTING DETAIL
FOOTING SLEEVE



DETAIL B

ALTERNATIVE FOOTING DETAIL
FOOTING SPIKE

ISSUE	AMENDMENT	DRAWN DATE	CHK'D DATE	APPR'D DATE
A	Drawing Converted from UMS Series April 2014	APR '14	APR '14	APR '14

DRAWING AUTHORISED FOR PUBLICATION
 B. BALL SIGNATURE ON ORIGINAL
 DATED 29/6/01 R.P.E.O: 3852
 ASSET ENGINEERING MANAGER
 STRATEGIC ASSET MANAGEMENT
 DESIGN APPROVED
 B. HANSEN SIGNATURE ON ORIGINAL
 DATED 27/6/01
 PRINCIPAL ASSET OFFICER
 ROADS & DRAINAGE

DESIGN	Std Dwg Group	DATE	APRIL '01
DRAWN	CITY DESIGN	DATE	APRIL '01
CHECKED	M.STEER	DATE	MAY '01
DRAWING FILENAME	BSD-7002.dwg		
ASSOCIATED PLANS	SUPERSEDES UMS-242		



BRISBANE CITY COUNCIL STANDARD DRAWING

GALVANISED WELDMESH FENCING

SCALE: NOT TO SCALE

DWG No. **BSD-7002**

ORIGINAL SIZE: A3 REVISION: A